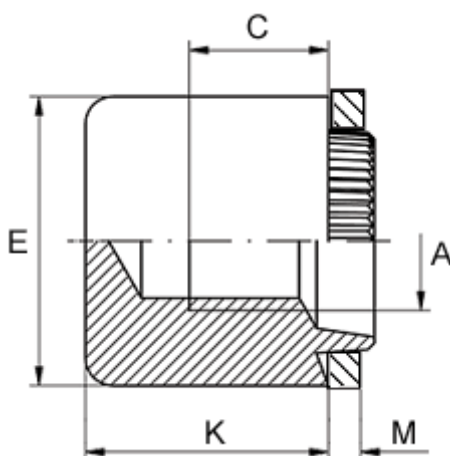


Article number: 12755000060700

Description: KLEE-coil 755 000 060.700  
M6 Light-alloy metal

## Measures

---



Female thread A	= M6
Height K	= 11.0
Min thread length C	= 6.0
Outer diameter E	= 13.0
Plate thickness	= 4.1 to 4.3
Recommended bore diameter for extreme load	= 10.0
Recommended bore diameter for normal use	= 10.0